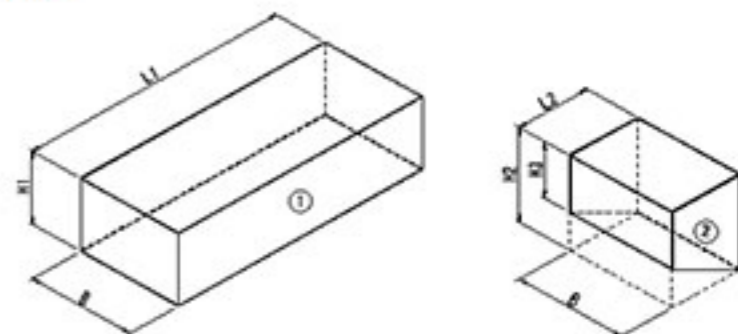


§ 3. コンクリート体積 (一期施工)

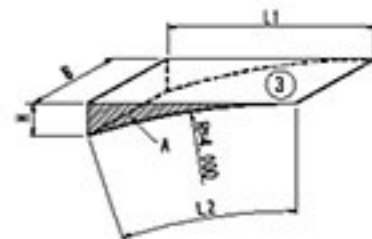
1. 20



B =	1.900 m	H1 =	1.800 m	L1 =	3.400 m
		H2 =	1.800 m	L2 =	0.850 m
		H3 =	1.800 m		

①	$1.900 \times 1.800 \times 3.400$	=	11.652 m ³
②	$1/2 \times (1.800 + 1.800) \times 0.850 \times 1.900$	=	2.665 m ³

B =	1.900 m
H =	0.300 m
L1 =	1.400 m
L2 =	1.400 m
A =	0.145 m ² (中心線より)



③	0.145×1.900	=	0.275 m ³
---	----------------------	---	----------------------

20合計 = 12.636 m³